

Reduced Bore: 1/4" (DN8) to 2 1/2" (DN65)

Full Bore: 1/4" (DN8) to 2" (DN50)

Standards of Compliance:

Design:	ANSI B16.34, BS 5351, BS 5159
Thread End Connections:	NPT ANSI B1.20.1 BSPT ISO R/7, BS 21 BSPP ISO R/7, BS 2779 DIN 2999, DIN 3852
Socket End Connections:	BS 1600. API 5L. ANSI B16.11, DN 3239/Pt 2
Buttweld End Connections: (Schedules 5, 10, 40, 80)	API 5L. BS 1600. ANSI B16.25, DN 3239/Pt 1
Pressure Testing:	API 598, ISO 5208 EN 12266-1:2003
Fire Testing:	API 607 4th Edt. API 6FA EN 12266-1:2003
NACE (Must be Specified)	MR-0175
Quality Assurance:	ISO 9001-2008
Certification:	PED 97/23EC Module H ATEX Directive 94/9/EC



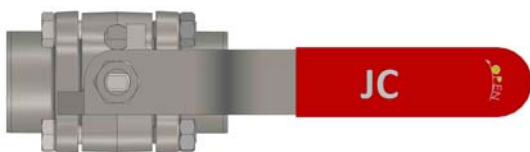
Applications:

CHEMICAL, PETROCHEMICAL, OIL & GAS, REFINING, PULP & PAPER, FOOD INDUSTRY & OTHERS.

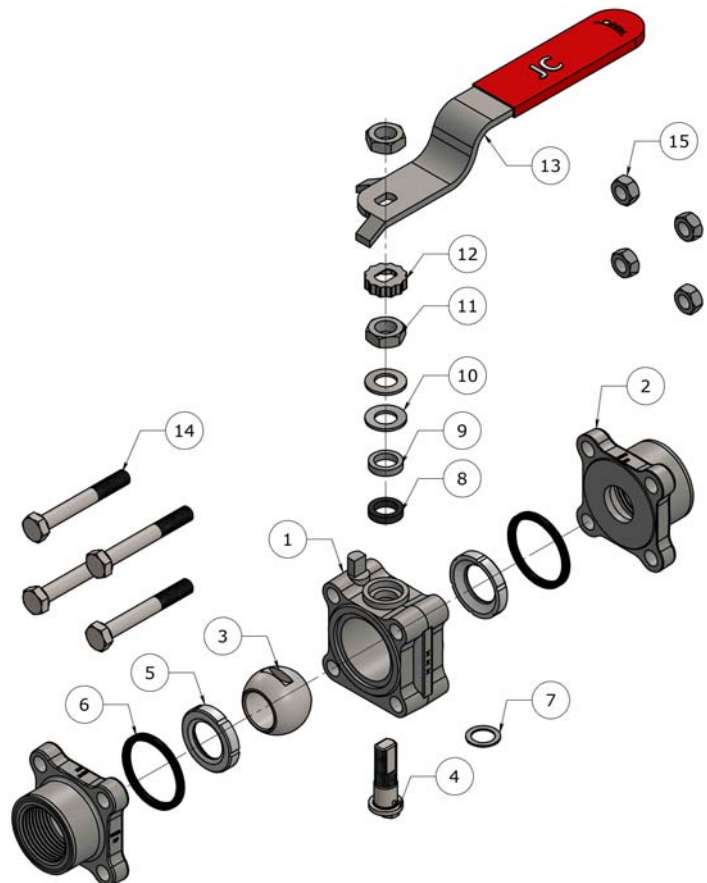
Bill of Material:

Item	Description	Material Specifications	Qty
1	Body	A105 /F316/F304	1
2	End	A105/F316/F304	2
3	Ball	SS 316 / SS 304 etc.,	1
4	Stem	SS 316 / SS 304 etc.,	1
*5	Seat	PTFE/Filled PTFE/TFM etc.,	2
*6	Body Seal	PTFE - Non Fire Safe	2
		Graphite - Fire Safe	1
*7	Thrust Seal	PTFE - Non Fire Safe	1
		Graphite - Fire Safe	
*8	Gland Packing	PTFE - Non Fire Safe	2
		Graphite - Fire Safe	1
9	Gland	SS316/SS304	1
10	Disc Spring	17-7 PH/Spring Steel	2
11	Gland Nut	SS304/Gr. 8.8	2
12	Locking Clip	SS410	1
13	Handle	CS/SS	1
14	Hex Bolt	A2-70/Gr.8.8	4
15	Hex Nut	A2-70/Gr.8.8	4

Standard items for repair kits **



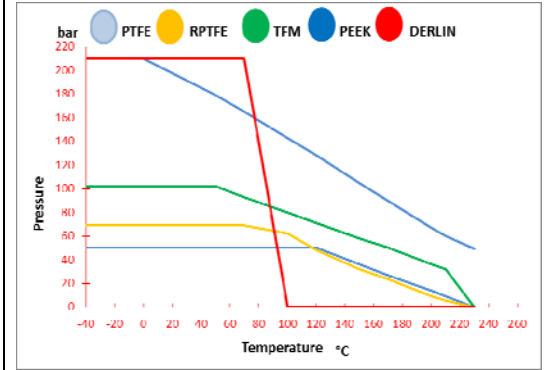
Exploded View:



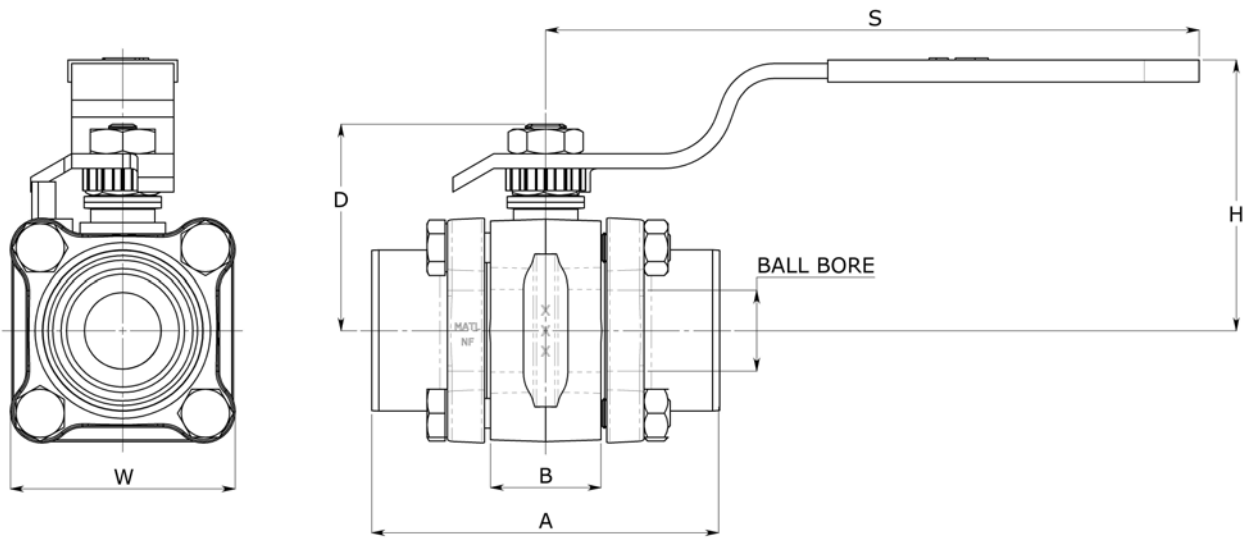
Flow Co-Efficient & Stem Limit Torque

Valve Size		Cv Values		Mast Value of Stem (NM)			
		Flow Coefficients		316 SS Stem Material		17-4 PH Stem Material	
RB	FB	Cv	Kv	Nm	in-lb	Nm	in-lb
1/2"	1/4", 3/8"	8	6.9	13.2	117	91	800
3/4"	1/2"	12	10.4	13.2	117	91	800
1"	3/4"	32	28.1	24.4	216	165	1460
1 1/4"	1"	57	49.3	24.4	216	165	1460
1 1/2"	1 1/4"	80	69.2	48.6	430	268	2370
2"	1 1/2"	104	90	48.6	430	268	2370
2 1/2"	2"	240	208	---	---	268	2370

Pressure Vs Temperature Chart



Dimension Table & Detailed Views:



RB	FB	Unit	Ball Bore	A	B	D	H	S	W	Weight	Torque (NM)
1/4", 3/8", 1/2"	1/4", 3/8"	mm	11.15	66	20.6	38.7	44.5	150	47	0.6 kg	6
		inch	0.44	2.60	0.81	1.52	1.75	5.91	1.85	1.33 lb	
3/4"	1/2"	mm	14.3	70.6	24.5	40.3	46.7	150	54	0.8kg	8
		inch	0.56	2.78	0.96	1.59	1.84	5.91	2.13	1.77 lb	
1"	3/4"	mm	20.6	93.7	31.7	55.6	60	170	63	1.6 kg	14
		inch	0.81	3.69	1.25	2.19	2.36	6.69	2.48	3.54 lb	
1 1/4"	1"	mm	25.4	108	41.3	60.2	64.8	170	72	2.5 kg	22
		inch	1.00	4.25	1.63	2.37	2.55	6.69	2.83	5.53 lb	
1 1/2"	1 1/4"	mm	31.8	115.5	48.4	73	76.5	220	86	3.6 kg	31
		inch	1.25	4.55	1.91	2.87	3.01	8.66	3.39	7.96 lb	
2"	1 1/2"	mm	38.1	128	56.3	77.8	81.2	220	97	4.5 kg	43
		inch	1.50	5.04	2.22	3.06	3.20	8.66	3.82	9.95 lb	
2 1/2"	2"	mm	50.8	158	72.6	88.1	112.1	220	108	9.5 kg	52
		inch	2.00	6.22	2.86	3.47	4.41	8.66	4.25	21.0 lb	