

Reduced Bore: 1/2" (DN15) to 2" (DN50)

Standards of Compliance & Design Advantages:

- DESIGN: ANSI B16.34
- FACE TO FACE: ANSI B16.10
- FLANGE DIMENSIONS: ANSI B16.5
- FIRE SAFE: API 607
- ANTISTATIC FEATURE AS PER BS5351
- PRESSURE TESTING: EN 12266 PART 1
- ISO 5211 MOUNTING PAD FOR AUTOMATION
- LIVE LOADED PACKING SYSTEM
- BLOW OUT PROOF STEM

Applications:

- CHEMICAL, PETROCHEMICAL, OIL & GAS, REFINING,
PULP & PAPER, FOOD INDUSTRY & OTHERS.



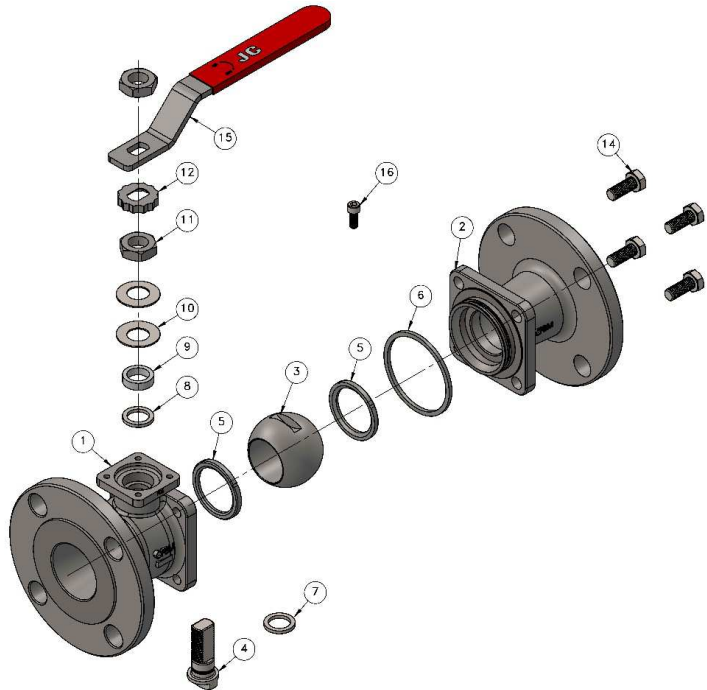
1/2"(DN15) to 2"(DN50)

Bill of Material:

Item	Description	Material Specifications	Qty
1	Body	CF8M/CF8/CF3M/CF3/WCB	1
2	End	CF8M/CF8/CF3M/CF3/WCB	1
3	Ball	SS 316 / SS 304 etc.,	1
4	Stem	SS 316 / SS 304 etc.,	1
*5	Seat	PTFE/Filled PTFE/TFM etc.,	2
*6	Body Seal	PTFE - Non Fire Safe Graphite - Fire Safe	1
*7	Thrust Seal	PTFE - Non Fire Safe Graphite - Fire Safe	1
*8	Gland Packing	PTFE - Non Fire Safe Graphite - Fire Safe	1
9	Gland	SS316/SS304	1
10	Disc Spring	17-7 PH/Spring Steel	2
11	Gland Nut	SS304/Gr. 8.8	2
12	Locking Clip	SS410	1
13	Locking Device	SS304	1
14	Fasteners	A2-70/Gr.8.8	4
15	(Wrench) Handle	CS/SS	1
16	Stop Pin	CS/SS	1
17	T-Wrench	CS/SS	1
18	T-Wrench Screw	SS304	1

Standard items for repair kits **

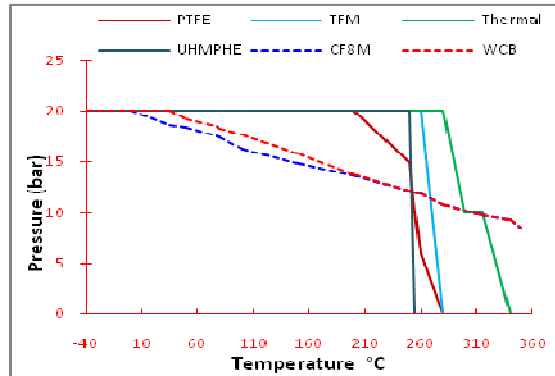
Exploded View: {1/2" (DN15) to 2" (DN50)}



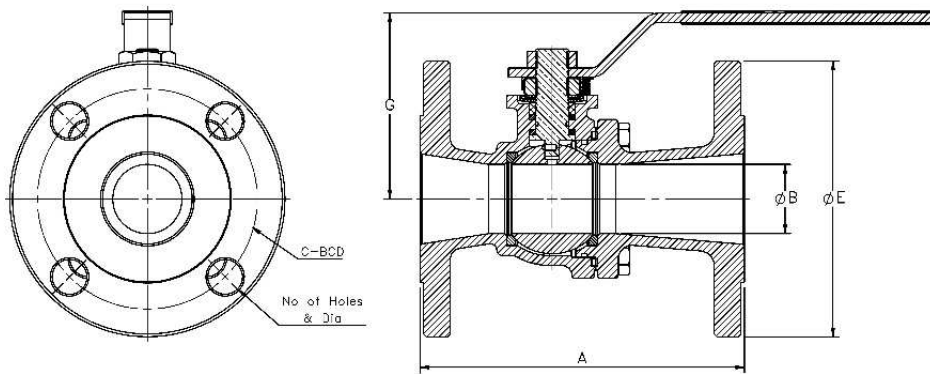
Flow Co-Efficient & Stem Limit Torque:

Size		Flow Coefficient		Mast Value of Stem (NM)	
Inch	DN	Cv	Kv	SS 316	17/4 PH
1/2"	DN 15	20	17	14	110
3/4"	DN 20	30	26	14	110
1"	DN 25	50	43	14	110
1 1/4"	DN 32	80	69	25	210
1 1/2"	DN 40	100	86	25	210
2"	DN 50	250	216	50	425

Pressure & temperature Chart:



Dimension Table & Detailed Views:



1/2" (DN15) to 2" (DN50)

Size		Face to Face	Bore Dia	Bolt Circle Dia	No. of Holes & hole dia	Flange O.D	Handle HT From c/l	Approx weight	Break Torque*
Inch	DN	A	B	C	D	E	G	kg	NM
1/2"	DN15	108	11.2	60.3	4 x φ 16	91	59	1.4	5
3/4"	DN20	117	15.0	69.9	4 x φ 16	101	63	1.8	7
1"	DN25	127	20.0	79.4	4 x φ 16	111	67	2.3	10
1 1/4"	DN32	165	24.0	88.9	4 x φ 16	116	79	3.1	12
1 1/2"	DN40	165	31.0	98.4	4 x φ 16	126	85	4.2	15
2"	DN50	178	38.0	120.7	4 X φ 19	151	102	6.5	25

* Break Torque values for water as media @ full rated pressure.