



KEYSTONE

Features and Benefits

- One-piece, thin profile, 316 Stainless steel disc/stem provides minimum obstruction to flow, resulting in highest Cv, lowest pressure drops and best control characteristics. Also available with PTFE, NBR or EPDM molded disc.
- Triple function, resilient dovetail seat isolates body and stem from line media, provides drop-tight shutoff of line media at full-rated pressure and permits convenient and economical replacement in the field.
- Heavy duty, corrosion resistant top bushing provides upper stem support, absorbs actuator sideloads and extends valve cycle life.
- Bi-directional, self-adjusting double V-cup stem seals prevent external contaminants from entering the valve.
- Split body design enables easy field replacement of seat and disc/stem and permits direct mounting of Keystone actuators without the use of couplings or brackets.

Thin Disc Resilient Seated Butterfly Valves Sizes 1 – 20-inch to 150 psi



General Application

Figure 990 (wafer) and Figure 920 (lug) are used when sanitary service or corrosion resistance is required. Heavy duty applications include chemical, food and beverage, pharmaceutical, pulp and paper, mining and power industries. Available with PTFE lining for light corrosive services and rubber lining for light abrasive services.

Technical Data

Sizes:

- 1 – 20-inch (Figure 990) Wafer
- 2 – 20-inch (Figure 920) Lug

Pressure Ratings:

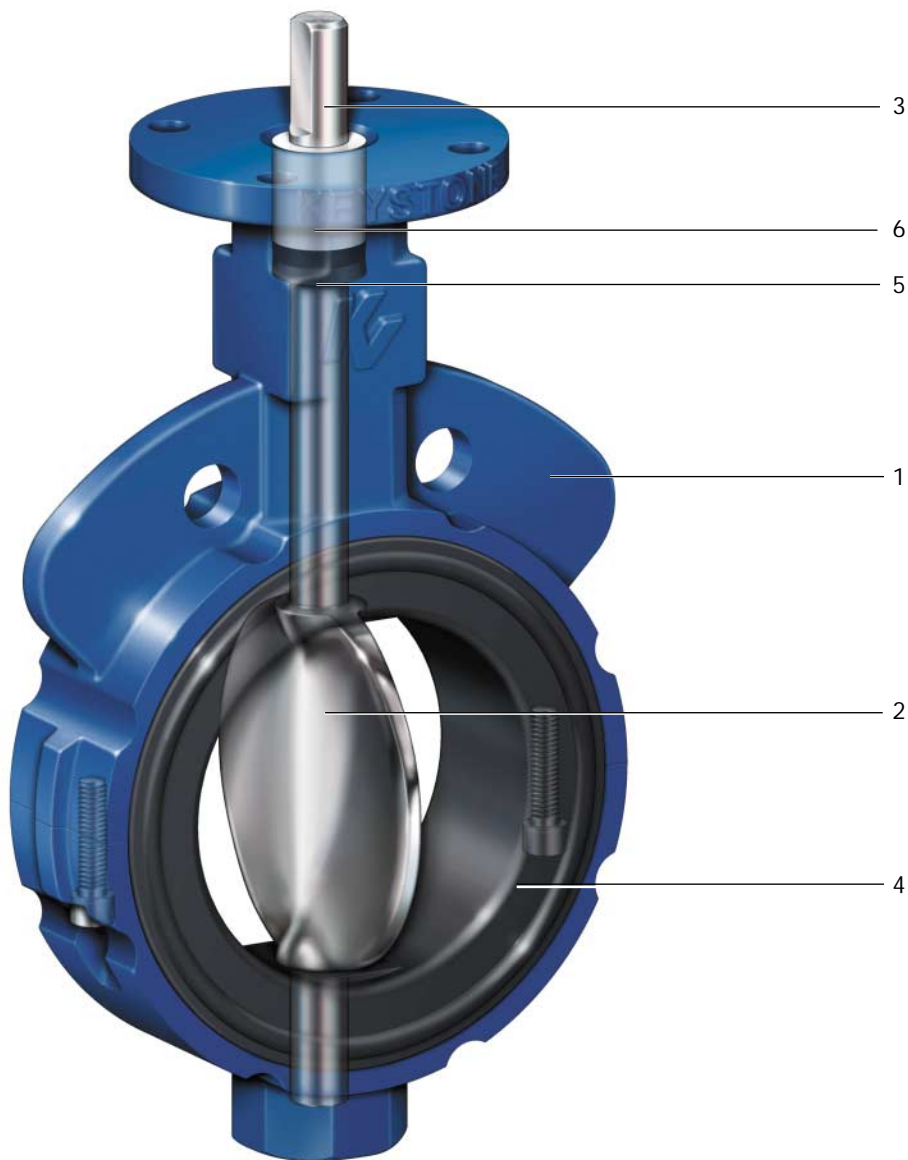
- 150 psi (1 – 12-inch) 316 Stainless steel disc/stem
- 75 psi (14 – 20-inch)
- 100 psi (2 – 12-inch)
- PTFE or rubber-molded disc

Flange Standard

Figure 990 is a resilient-seated, wafer-style, butterfly valve suitable for installation between ANSI Class 125/150 flanges.

Figure 920 provides drilled and tapped lugs around the valve body, compatible with ANSI Class 125/150 flange standards.

Figure 990/920



Materials

Part	Material	Material Standard
1. Two-piece body with top plate	Cast iron	ASTM A-126, Class B
	Ductile iron	ASTM A-395 GR 60/40/18
	316 Stainless steel	ASTM A-743 CF8M*
2. Thin profile disc	316 Stainless steel	
	Steel Teflon® molded**	
	Steel EPDM molded**	
	Steel NBR molded**	
3. Stem	316 Stainless steel	
4. Seat	NBR food grade (0°F – 212°F)	
	EPDM food grade (-40°F – 250°F)	
	PTFE-lined EPDM (-20°F – 300°F)	
	PTFE-lined NBR (0°F – 250°F)	
5. Stem packing	NBR	
6. Upper stem bushing	Polyester	

* Not available on 2 1/2-inch and 5-inch. Stainless steel bodies, 2–6-inch, include upper and lower stem bearings.

** Not available on 1-inch, 1 1/2-inch, 2 1/2-inch and 5-inch.

Teflon® is a registered trademark of the E.I. duPont de Nemours Company.

PTFE Lined

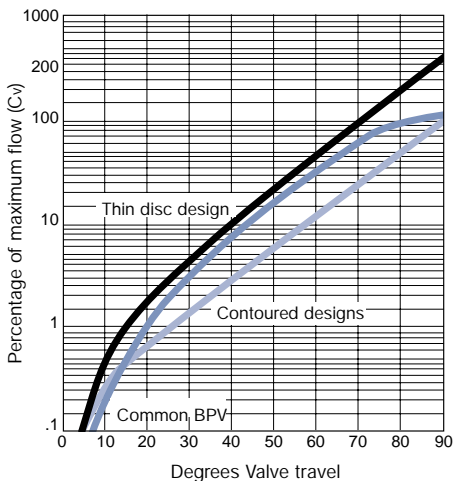
The Keystone Figure 990 and 920 is offered with PTFE lining for mildly corrosive services or an elastomer lining for mildly abrasive services.



Flow Control Characteristics

While most butterfly valves achieve an equal percentage characteristic, the Keystone thin-profile disc design does so at a significantly higher capacity through the valve's full travel. This results in not only 100:1 rangeability (Maximum Cv/Minimum Cv), but also greatly increased turndown ratio (Maximum Flow/Minimum Flow).

Thin disc flow control



Flow Coefficient (Cv)

Valve Size (in)	Angle of Disc Opening								
	10°	20°	30°	40°	50°	60°	70°	80°	90°
1	.07	0.7	2.8	4.8	8.3	13	24	42	89
1 1/2	.16	1.6	6.5	11.4	20.0	31	55	88	162
2	.30	2.7	10.7	18.7	32.0	51	91	161	267
2 1/2	.45	4.5	18.0	32.0	54.0	86	153	273	451
3	.70	6.9	27.7	49.0	83.0	132	235	419	693
4	1.30	13.1	52.6	92.0	158.0	250	447	795	1.314
5	2.10	21.1	84.3	148.0	253.0	400	717	1.275	2.108
6	2.80	27.9	112.0	195.0	335.0	530	848	1.690	2.790
8	5.20	52.1	208.0	365.0	625.0	990	1.770	3.150	5.208
10	8.30	83.1	332.0	582.0	997.0	1.580	2.825	5.025	8.308
12	12.00	120.0	481.0	842.0	1.440.0	2.286	4.090	7.275	12.030
14	15.00	150.0	600.0	1.050.0	1.800.0	2.850	5.100	9.075	15.000
16	20.00	200.0	798.0	1.397.0	2.395.0	3.792	6.788	12.075	19.960
18	25.80	258.0	1.032.0	1.805.0	3.095.0	4.900	8.768	15.600	25.790
20	32.20	322.0	1.290.0	2.257.0	3.870.0	6.125	10.960	19.500	32.240

Based on independent laboratory testing.

Figure 990 Wafer

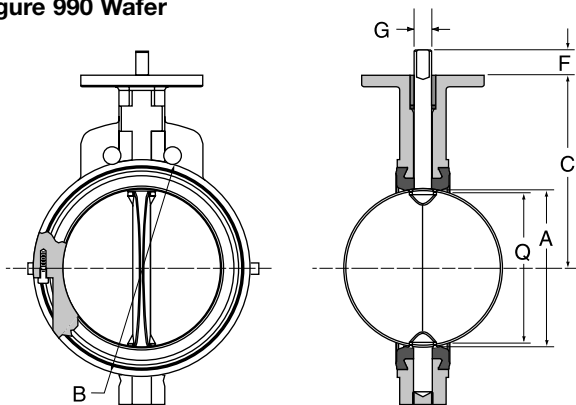
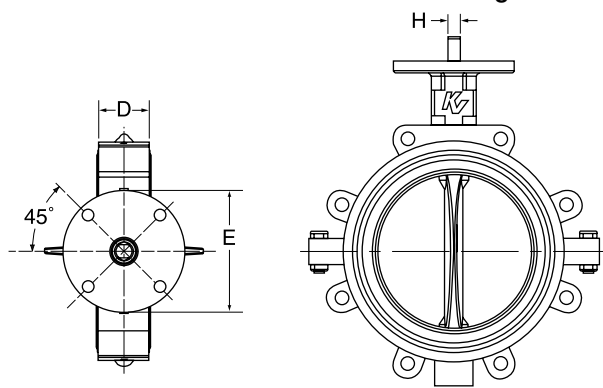


Figure 920 Lug



Cast and ductile iron body (inches)

Size	A	B	C	D	E	F	G	H*	Q	Top Plate Drilling			Tapped Lug Data			Weight (lbs.)		Adapt Code	
										Key	Bolt Circle	No. Holes	Hole Dia.	Bolt Circle	No. Holes	Tap Size	990		920
1	1 1/4	2 7/16	3 1/8	1 1/8	2 1/4	3/4	3/8	1/4	5/8	N/A	1 3/4	4	9/32	N/A	N/A	N/A	1 1/2	N/A	AAA
1 1/2	1 3/4	3 7/32	3 23/32	1 3/16	2 1/4	3/4	3/8	1/4	1 7/16	N/A	1 3/4	4	9/32	N/A	N/A	N/A	2 1/4	N/A	AAA
2	2	4 1/8	5 1/2	1 5/8	4	1 1/4	9/16	3/8	1 3/8	N/A	3 1/4	4	7/16	4 3/4	4	5/8 - 11 UNC	6	7	BAB
2 1/2	2 1/2	4 5/8	6	1 3/4	4	1 1/4	9/16	3/8	2 1/16	N/A	3 1/4	4	7/16	5 1/2	4	5/8 - 11 UNC	8	9 3/4	BAB
3	3	5 1/8	6 1/4	1 3/4	4	1 1/4	9/16	3/8	2 9/16	N/A	3 1/4	4	7/16	6	4	5/8 - 11 UNC	9	10	BAB
4	4	6 3/8	7	2	4	1 1/4	5/8	7/16	3 5/8	N/A	3 1/4	4	7/16	7 1/2	8	5/8 - 11 UNC	11	16 3/4	BAC
5	5	7 3/8	7 1/2	2 1/8	4	1 1/4	3/4	1/2	4 3/4	N/A	3 1/4	4	7/16	8 1/2	8	3/4 - 10 UNC	15 1/2	22	BAD
6	5 3/4	8 1/2	8	2 1/8	4	1 1/4	3/4	1/2	5 1/2	N/A	3 1/4	4	7/16	9 1/2	8	3/4 - 10 UNC	17 1/2	24 1/4	BAD
8	7 3/4	10 11/16	9 1/2	2 1/2	6	1 1/4	7/8	5/8	7 1/2	N/A	5	4	9/16	11 3/4	8	3/4 - 10 UNC	30	42	CAE
10	9 3/4	13	10 3/4	2 1/2	6	2	1 1/8	N/A	9 19/32	1/4 x 1/4	5	4	9/16	14 1/4	12	7/8 - 9 UNC	45	65	CAF
12	11 3/4	14 13/16	12 1/4	3	6	2	1 1/8	N/A	11 9/16	1/4 x 1/4	5	4	9/16	17	12	7/8 - 9 UNC	78	108	CAF
14	13 23/64	16 7/8	12	3	6	3	1 3/8	N/A	13 1/8	5/16 x 5/16	5	4	9/16	18 3/4	12	1 - 8 UNC	105	143	CAG
16	15 3/8	19	12 15/16	4	6	3	1 5/8	N/A	15	3/8 x 3/8	5	4	9/16	21 1/4	16	1 - 8 UNC	180	238	CAH
18	17 3/8	21 3/8	14 1/2	4 1/4	8	4 1/4	1 7/8	N/A	17	1/2 x 3/8	6 1/2	4	13/16	22 3/4	16	1 1/8 - 7 UNC	222	261	DAJ
20	19 3/8	23 1/2	15 7/8	5	8	4 1/4	1 7/8	N/A	18 7/8	1/2 x 3/8	6 1/2	4	13/16	25	20	1 1/8 - 7 UNC	315	366	DAJ

Stainless steel body (inches)

Size	A	B	C	D	E	F	G	H*	Q	Top Plate Drilling			Tapped Lug Data			Weight (lbs.)		Adapt Code	
										Bolt Circle	No. Holes	Hole Dia.	Bolt Circle	No. Holes	Tap Size	990	920		
11	3 1/16	2 3/8	3 1/8	1 1/8	**	4 3/4	3/8	1/4	4 5/8	1 3/4	4	5/16	N/A	N/A	N/A	1 1/4	N/A	AAA	
1 1/2	1 3/4	3	3 3/4	1 3/16	**	3/4	3/8	1/4	1 7/16	1 3/4	4	5/16	N/A	N/A	N/A	N/A	1 3/4	N/A	AAA
2	2	3 7/8	5 1/2	1 5/8	3 1/16	1 1/4	9/16	3/8	1 3/8	3 1/4	4	7/16	4 3/4	4	5/8 - 11 UNC	3 3/4	5 1/4	BAB	
3	3	5	6 1/4	1 3/4	3 1/16	1 1/4	9/16	3/8	2 9/16	3 1/4	4	7/16	6	4	5/8 - 11 UNC	6	7 1/4	BAB	
4	4	6 1/4	7	2	3 1/16	1 1/4	5/8	7/16	3 5/8	3 1/4	4	7/16	7 1/2	8	5/8 - 11 UNC	8 1/2	13 1/2	BAC	
6	5 3/4	8 1/4	8	2 1/8	3 1/16	1 1/4	3/4	1/2	5 1/2	3 1/4	4	7/16	9 1/2	8	3/4 - 10 UNC	13	19	BAD	

Notes

- * H dimension refers to flat on stem.
- ** 1-inch and 1 1/2-inch valve assemblies are furnished with integral 10-position throttling plate.
- 'Q' dimension is the minimum allowable pipe or flange inside diameter at the centered body face to protect the disc sealing edge against damage when opening the valve.