



Dual Plates Wafer Check Valves
Fig. No. DP 300 Class 300
Size 2"-30"



Dual Plates
CHECK VALVE
Fig. No. DP 300

API594、API6D& ASME B16.34
Connections according to:
ASME B16.5、ASME B16.47



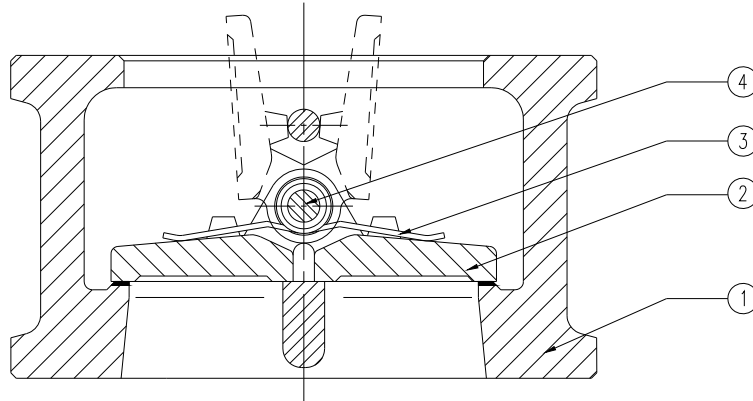


Dual Plates Wafer Check Valves

Class 300

Parts and Materials

Parts and materials

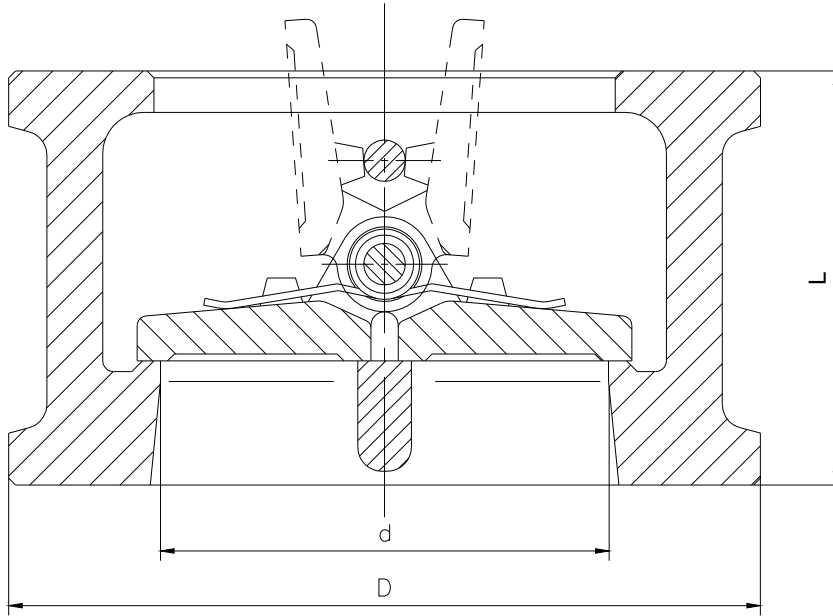


Item	Description	Material	
		Carbon Steel	Stainless Steel
1	Body	WCB/ Stellite Overlay	CF8M/ Stellite Overlay
2	Disc	WCB*/ Stellite Overlay	CF8M/ Stellite Overlay
3	Spring	17-7 PH	
4	Spring base	AISI 304	AISI 316 + Graphite
	*: ≤6" Shoud be CF8		



Dual Plate Wafer Check Valves Class 300

Dimensions



Dimensions

SIZE	L	D	d	WT	SIZE	L	D	d	WT
2" (DN 50)	60	110	51	3	14" (DN350)	222	483	350	117
2½" (DN 65)	67	128	65	4	16" (DN400)	232	537	400	190
3" (DN80)	73	147	80	6	18" (DN450)	264	594	450	200
4" (DN100)	73	179	102	8	20" (DN500)	292	652	500	265
5" (DN125)	86	214	127	15	24" (DN600)	318	772	600	410
6" (DN150)	98	249	152	18	28" (DN700)			735	
8" (DN200)	127	305	203	31	30" (DN750)	368	882	873	660
10" (DN250)	146	359	254	51	32" (DN800)				
12" (DN300)	181	420	305	77					

(*) Dimensions in mm.



Dual Plate Wafer Check Valves Class 300

General Characteristics, P&T Rating

GENERAL CHARACTERISTICS		Fig. R800		
DESIGN STANDARDS				
Valves design	API 594	API6D	ASME B 16.34	
Connections	ASME B16.5	ASME B16.47		
Face to face dimensions	API594			
TESTS AND CERTIFICATES				
Quality Assurance	ISO 9001			
Pressure testing	EN 12266-1			
Marking	EN 19			

Pressure-Temperature

P Bar

