



Dual Plate Wafer Check Valves
Fig. No. DP 150 Class 150
Size 2" –32"



Dual Plates
CHECK VALVE
Fig. No. DP 150

API594, API6D & ASME B16.34
Connections according to:
ASME B16.5、 ASME B16.47



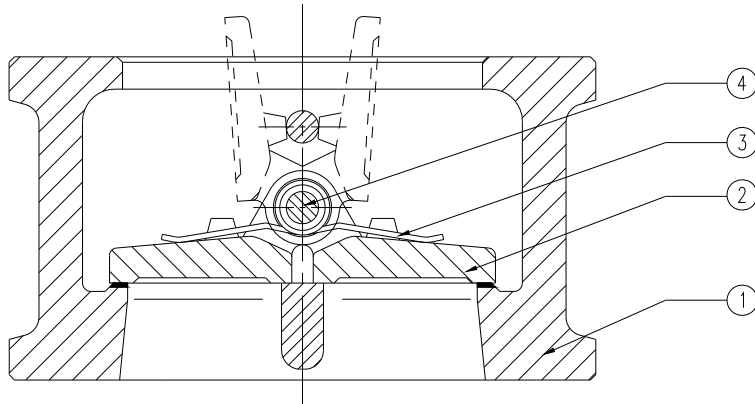


Dual Plates Wafer Check Valves

Class 150

Parts and Materials

Parts and materials

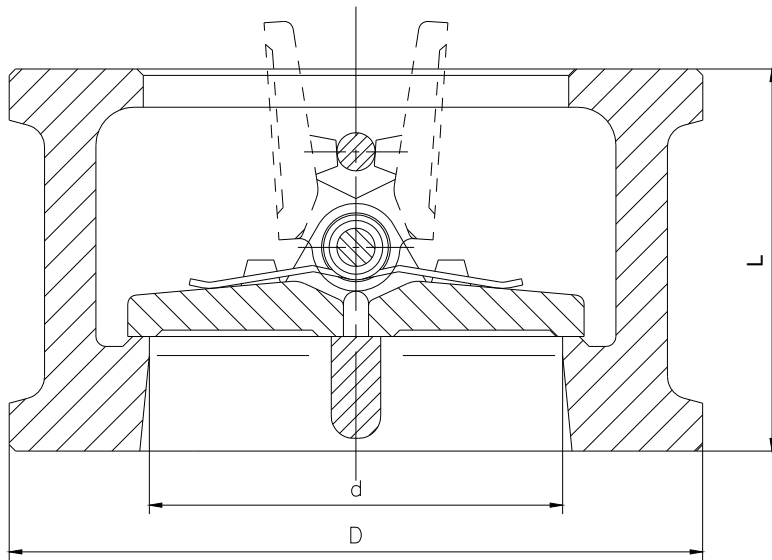


Item	Description	Material	
		Carbon Steel	Stainless Steel
1	Body	WCB/ Stellite Overlay	CF8M/ Stellite Overlay
2	Disc	WCB*/ Stellite Overlay	CF8M/ Stellite Overlay
3	Spring	17-7 PH	
4	Spring base	AISI 304	AISI 316 + Graphite
*: ≤6" Shoud be CF8			



Dual Plate Wafer Check Valves Class 150

Dimensions



Dimensions

SIZE	L	D	d	WT	SIZE	L	D	d	WT
2" (DN 50)	60	103	51	2	14" (DN350)	184	448	350	80
2½" (DN 65)	67	122	65	3	16" (DN400)	191	512	400	117
3" (DN80)	73	135	80	4	18" (DN450)	203	547	450	138
4" (DN100)	73	173	102	6	20" (DN500)	219	604	500	163
5" (DN125)	86	195	127	8	24" (DN600)	222	715	600	331
6" (DN150)	98	220	152	13	28" (DN700)	305	305	700	380
8" (DN200)	127	277	203	25	30" (DN750)	305	824	746	425
10" (DN250)	146	337	254	39	32" (DN800)	305	878	796	560
12" (DN300)	181	407	305	54					

(*) Dimensions in mm.



Wafer Dual Plat Wafer e Check Valves Class 150

General Characteristics, P&T Rating

GENERAL CHARACTERISTICS		Fig. R800		
DESIGN STANDARDS				
Valves design	API 594	API 6D	ASME B 16.34	
Connections	ASME B16.5	ASME B16.47		
Face to face dimensions	API594			
TESTS AND CERTIFICATES				
Quality Assurance	API 598			
Pressure testing	ISO 9001			
Marking	EN 12266-1			
	EN 19			

Pressure-Temperature

P Bar

