



Ball Valves Class 800# AICG & IICG Type



3-PIECE FULL BORE BALL VALVES

Carbon Steel & Stainless Steel

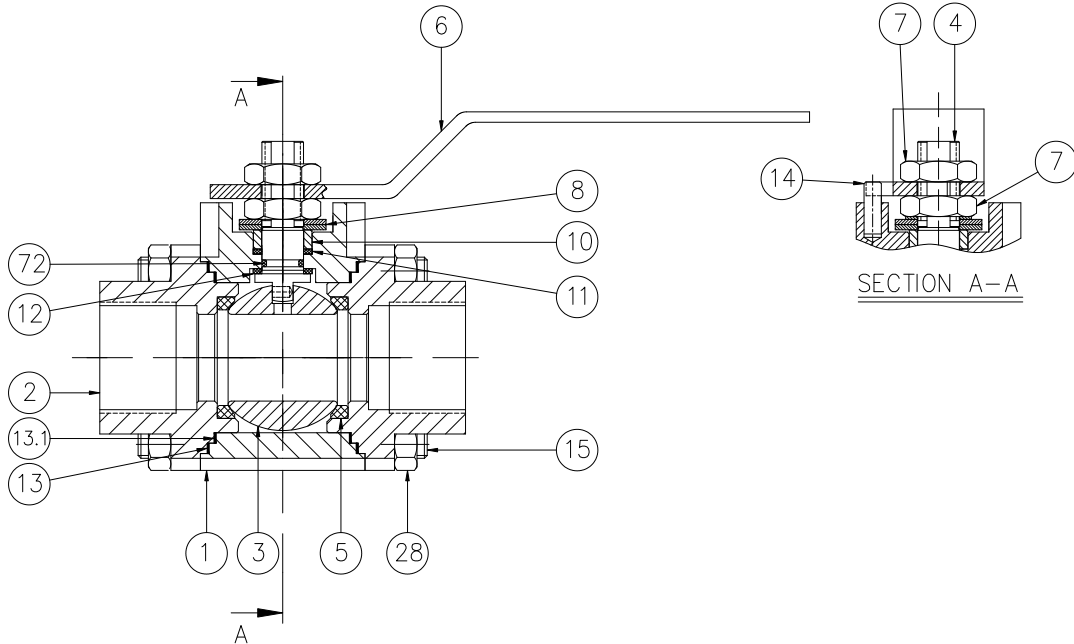
Fig. 800





Ball Valves Class 800# AICG & ICG Type

Parts and materials



Parts and material

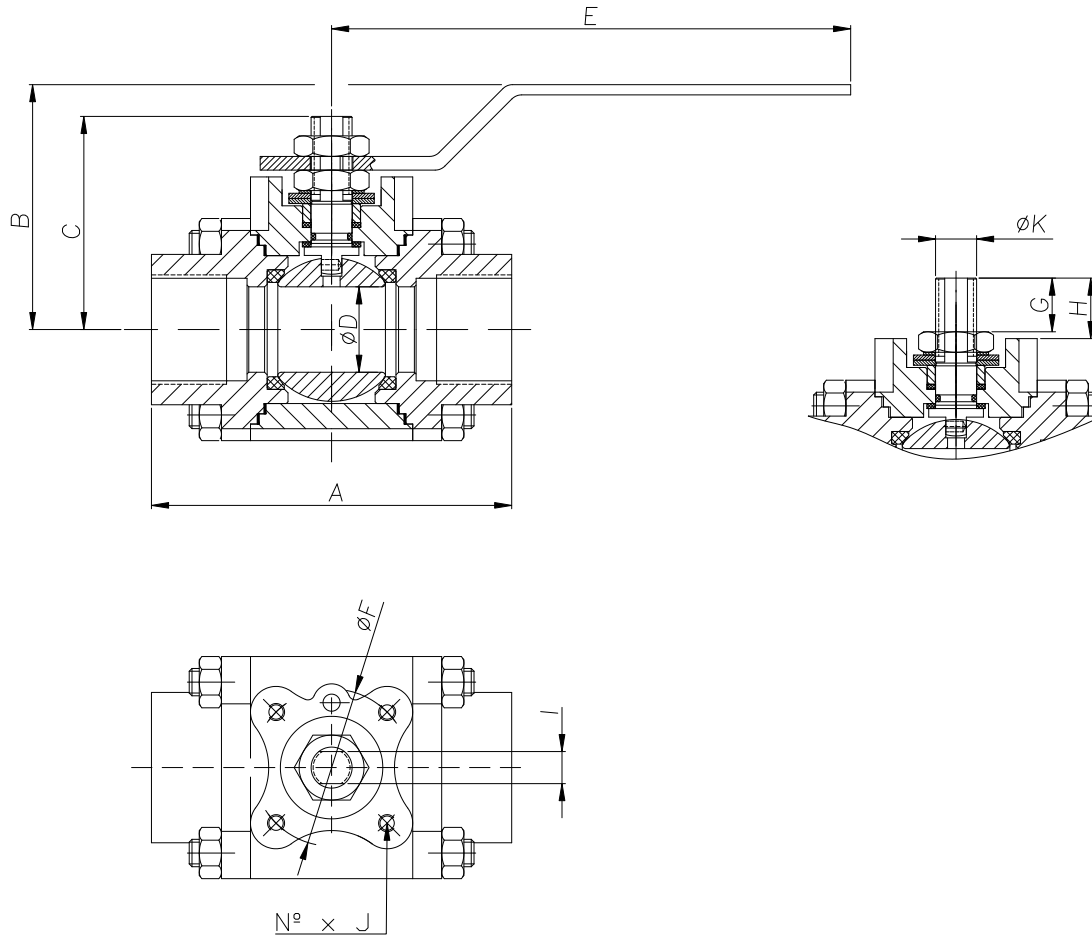
Item	Description	Material	
		Carbon Steel	Stainless Steel
1	Body	ASTM A105	ASTM A182 Gr. F316
2	End Connector	ASTM A105	ASTM A182 Gr. F316
3	Ball	A 479 Tp. 316	
4	Stem	A 479 TP316	
5	Seat ring	TFM-1600+CG	
6	Wrench	Z.P. Carbon Steel	
7	Gland nut	Z.P. Carbon St.	AISI 316
8	Disk Spring	Carbon Steel	AISI 301
10	Gland	AISI 316	
11	Gland packing	Graphite	
12	Stem thrust seal	25%Graphite	
13	Body connector seal	Graphite	
13.1	Body connector seal	PTFE	
14	Stop pin	Stainless Steel	
15	Stud	ASTM A193 B7M	ASTM A193 B8M
19	Antistatic device	Stainless Steel	
28	Nut	ASTM A194 2HM	ASTM A194 Gr8M
72	O'ring	FKM (Vitón)	
89	Identification plate	Stainless Steel	

Other materials under request.



Ball Valves Class 800# AICG & ICG Type

Dimensions



General dimensions

DN	A	B	C	ØD	E	ØF	G	H	I	N° x J	ØK
1/4"	68	59	43	9,5	170	36	8,7	10,7	7	4xM5	10
3/8"	68	59	43	9,5	170	36	8,7	10,7	7	4xM5	10
1/2"	72	59	45	15	170	36	8,7	10,7	7	4xM5	10
3/4"	94	72	59	20	215	42	15,7	17,7	9,5	4xM5	12
1"	106	72	62	25	215	42	15,7	17,7	9,5	4xM5	12
1 1/2"	125,5	109	89	40	245	50	25,2	27,2	9,5	4xM6	16
2"	128	114	89	50	300	50	16,5	18	12	4xM6	18

(*) Dimensions in mm.

JC Fábrica de válvulas, s.a.

E-mail: jc@jc-valves.com

Internet: www.jc-valves.com

Authorized Distributor



Ball Valves Class 800# AICG & IICG Type

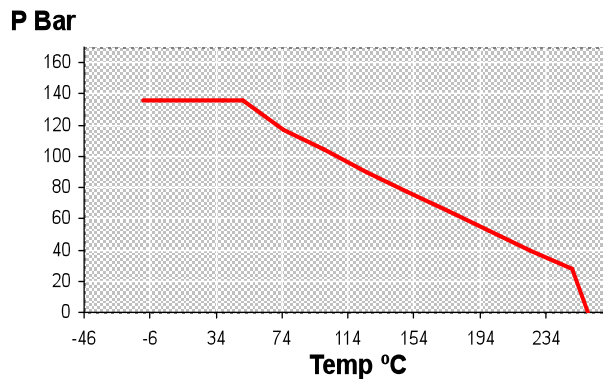
Connections

Standard	BSP Threaded
Standard	NPT Threaded
Option	Socket-welding
Option	Buttwelding

General Characteristics

GENERAL CHARACTERISTICS	
DESIGN STANDARDS	
Valves design	ASME B 16.34
Shell thickness	ASME B 16.34
Face to face Dimensions	Manufacturer's standard
Visual Inspection	MSS SP - 55
Marking	EN 19
TESTS AND CERTIFICATES	
Quality assurance	ISO-9001
Fire Safe	ISO 10497: 2004
Fugitive Emission	ISO 15848-1 2006
Pressure testing	API 598 EN12266
Other	ATEX NACE

**Pressure-Temperature
ASTM A 105
PTFE + C.G. SEATS**



**Pressure-Temperature
ASTM A 182 Gr. F 316
PTFE + C.G. SEATS**

